

\$84.00

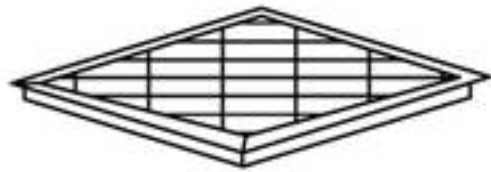
Concrete Catch Basin 2" Wall & Bottom
Light Lawn Mower Traffic Max.

Smooth-Core Corrugated

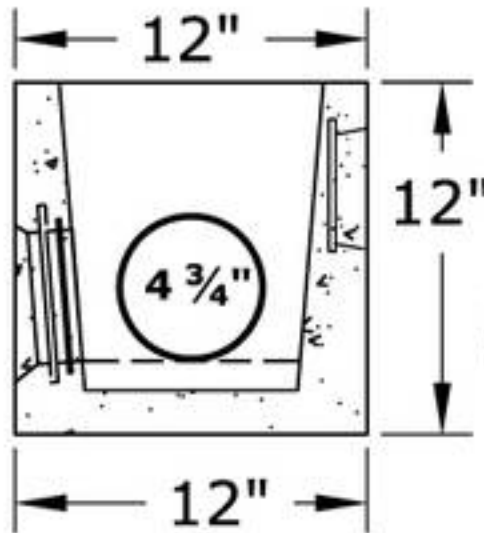
Pipe size I.D. Pipe size O.D.

4"

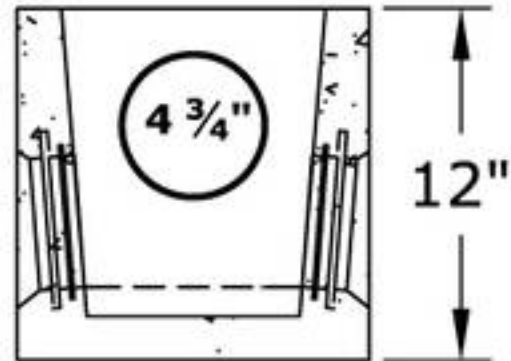
4.69"



Framed Sq. Drop-In
Expanded Metal Grating



Weight
65 Lbs.



This drawing is the property of Bethlehem Mfg. Co., Inc. and may not be reproduced, published, or used in any way without written permission of Bethlehem Mfg. Co., Inc.

share\BrochureCatchBasin 4-9-2019

\$125.00

Concrete Catch Basin 2" Wall & Bottom
Light Lawn Mower Traffic Max.

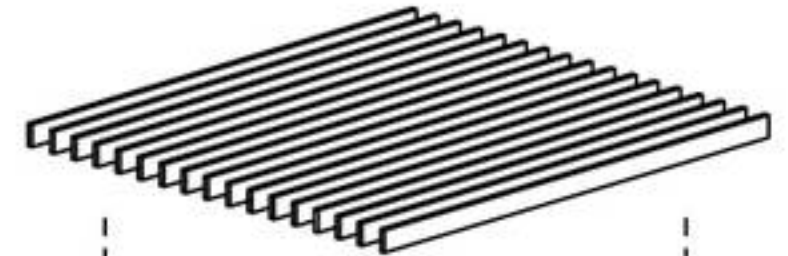
Smooth-Core Corrugated

Pipe size I.D. Pipe size O.D.

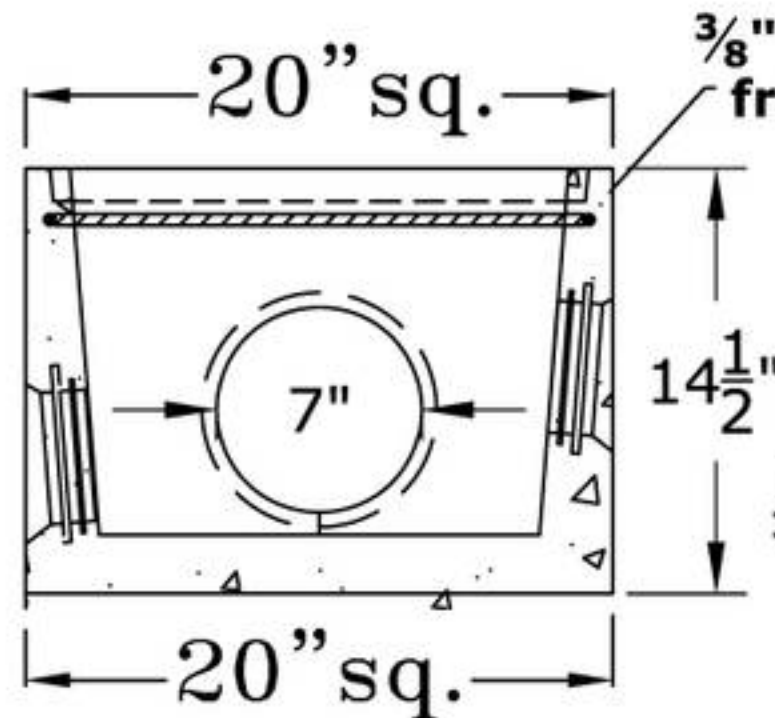
4" (2 ports) 4.69"

6" 7.10"

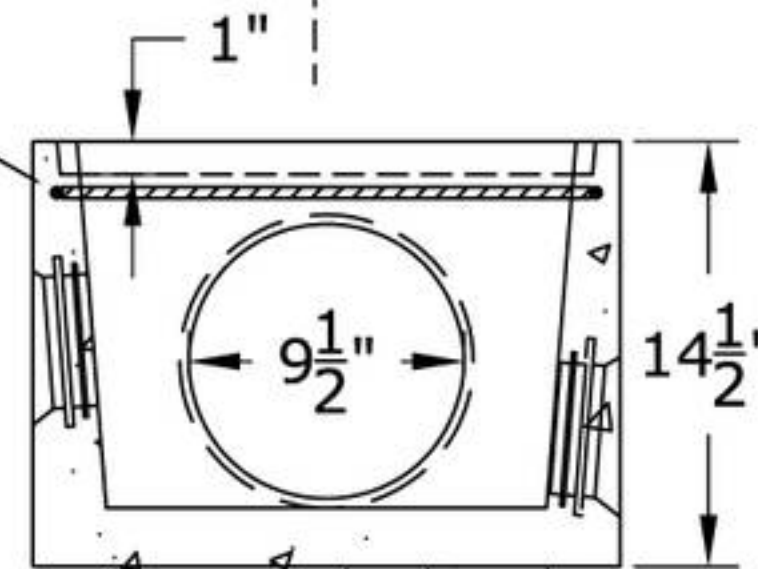
8" 9.30"



Square Drop-In
1" x 3/16" Bar Grating



Weight
180 Lbs.



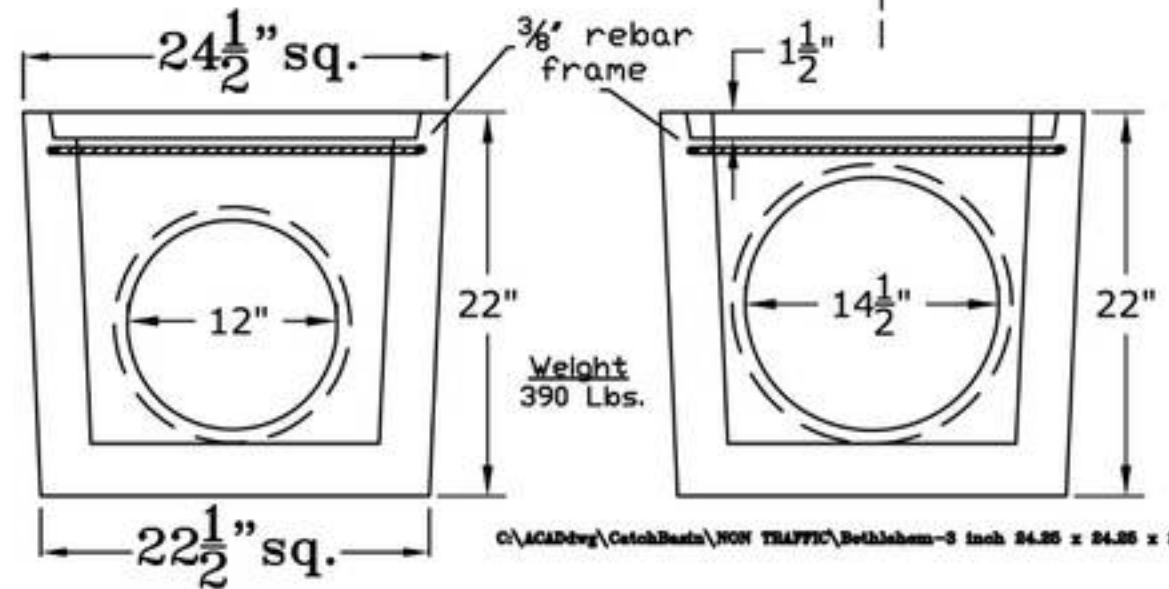
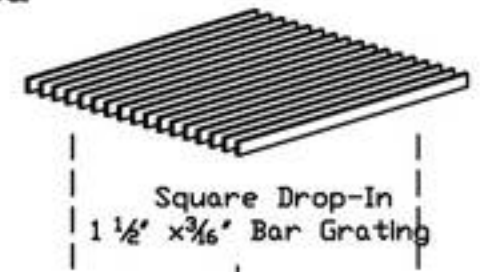
C:\ACAD\dwg\CatchBasin\NON TRAFFIC\15x20x20.dwg

\$255.00

Concrete Catch Basin 3' Wall & Bottom
1,500 Max. Load

Smooth-Core Corrugated
Pipe size I.D. Pipe size O.D.

10'	11.71'
12'	14.26'



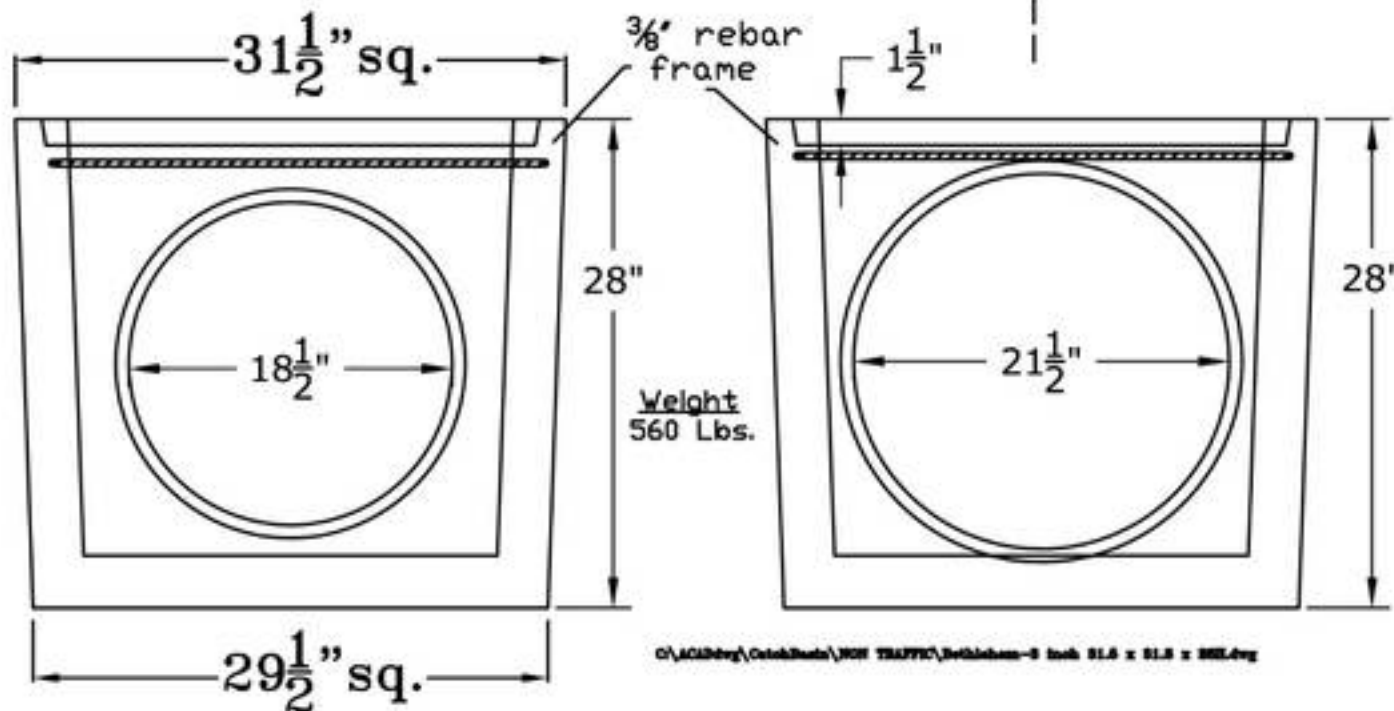
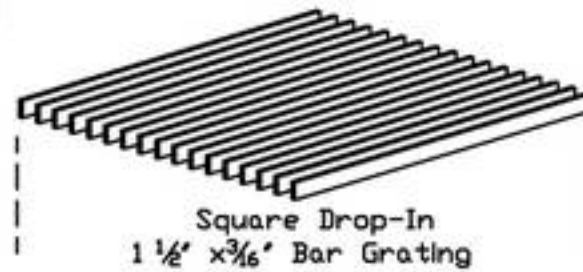
C:\ACAD\dwg\CatchBasin\NON TRAFFIC\Bethlehem-3 inch 24.25 x 24.25 x 22.dwg

\$330.00

Concrete Catch Basin 3' Wall & Bottom
1,500 Max. Load

Smooth-Core Corrugated
Pipe size I.D. Pipe size O.D.

15'	18.39'
18'	21.30'



C:\ACAD\dwg\CatchBasin\NON TRAFFIC\Bethlehem-3 inch 31.5 x 31.5 x 28.dwg

This drawing is the property of Bethlehem Mfg. Co., Inc. and may not be reproduced, published, or used in any way without written permission of Bethlehem Mfg. Co., Inc.

share\BrochureCatchBasin 4-9-2019