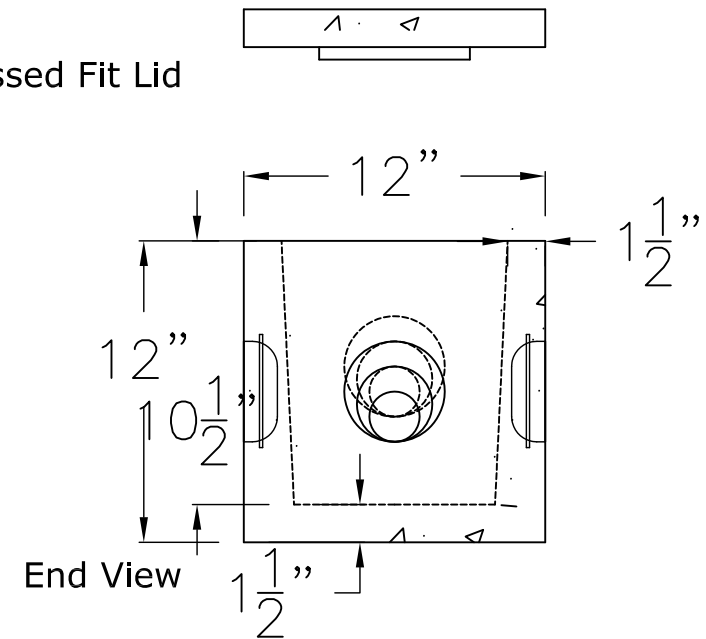
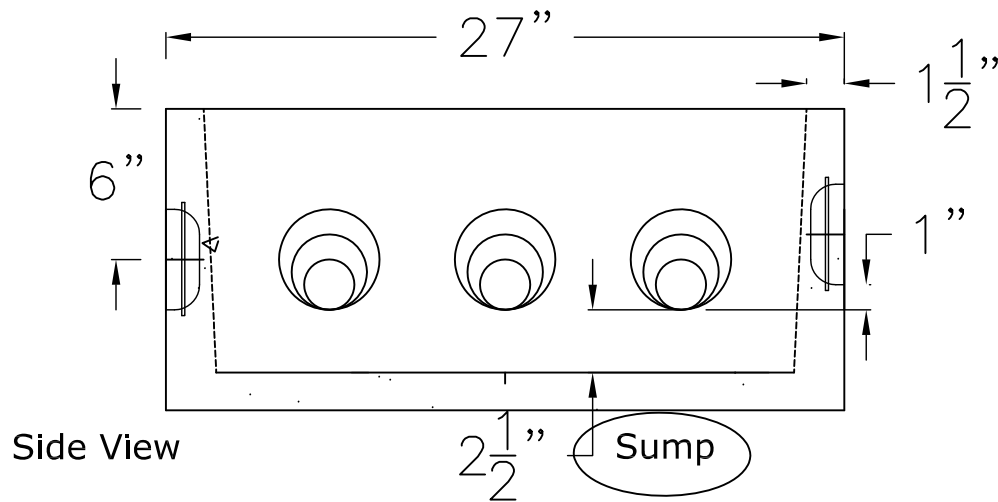
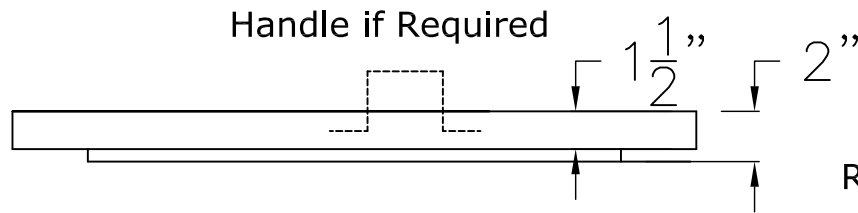
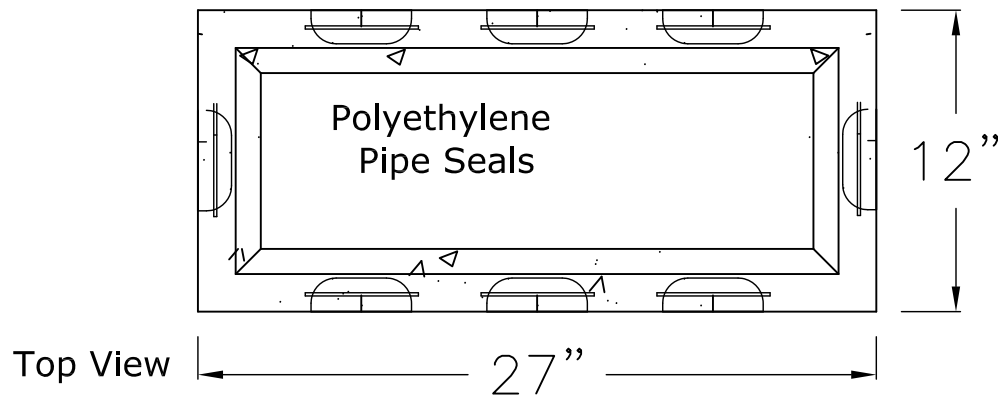


# Distribution Box 7 Outlet/8 Hole



Manufactured by:

**Molds of Bethlehem, Inc.**  
36 Bethlehem Mfg. Lane  
Hickory, NC 28601  
800-659-7815

Specifications:

Concrete: 4,000 PSI Min.  
Lid = 55 lbs  
Box = 170 lbs  
225 lbs

Reinforcing: Per Manufacture's Specifications

Equivalent substitutes allowed for all devices, practices and reinforcing approved under the laws, rules, and regulations.

Size: 12" Tall x 12" Wide x 27" Long

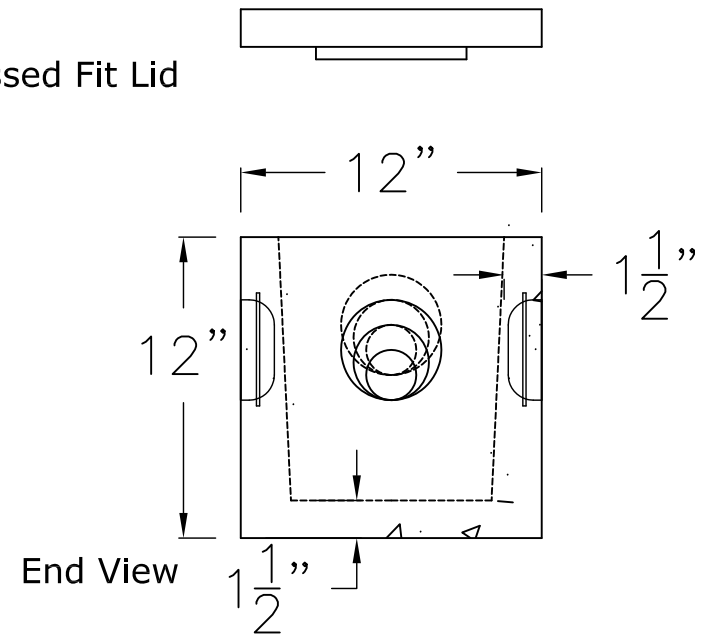
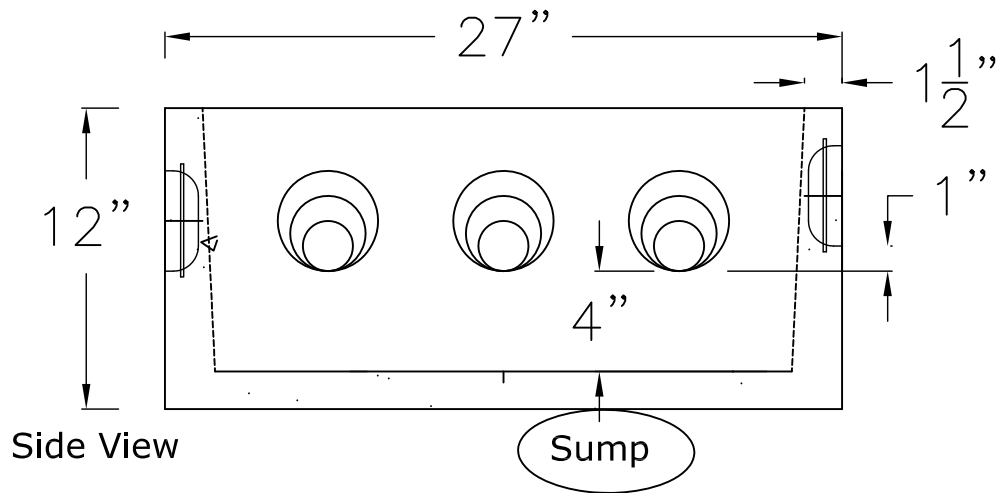
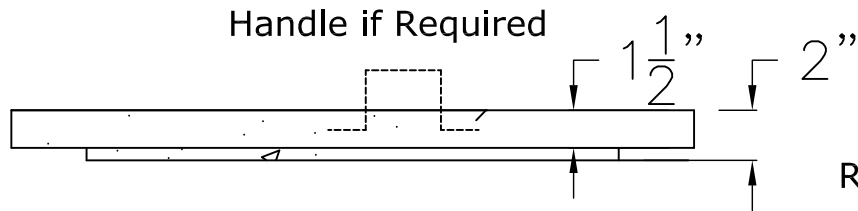
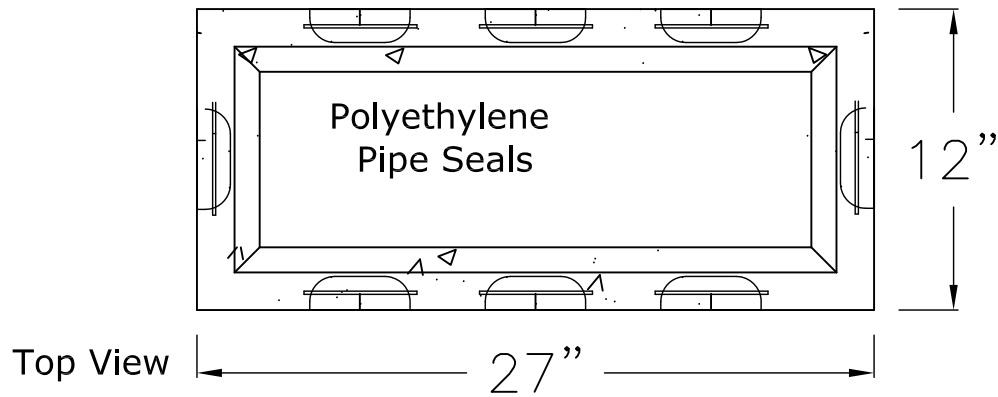
Date: 5-27-1994

Scale: 1" = 10"

Name: 12x12x27DBox7Outlet-NC

This drawing is the property of Bethlehem Manufacturing Company, Inc. and may not be reproduced, published, or used in any way without written permission from Bethlehem Manufacturing Company, Inc.

# Distribution Box 7 Outlet/ 8 Hole



Manufactured by:

**Molds of Bethlehem, Inc.**  
36 Bethlehem Mfg. Lane  
Hickory, NC 28601  
800-659-7815

**Specifications:**

**Concrete: 4,000 PSI Min.**  
Lid = 55 lbs  
Box = 170 lbs  
225 lbs

**Reinforcing:** Per Manufacture's Specifications

Equivalent substitutes allowed for all devices, practices and reinforcing approved under the laws, rules, and regulations.

Size: **12" Tall x 12" Wide x 27" Long**

Date: **5-27-1994**

Scale: **1" = 10"**

Name: **12x12x27DBox7Outlet-NC**

This drawing is the property of Bethlehem Manufacturing Company, Inc. and may not be reproduced, published, or used in any way without written permission from Bethlehem Manufacturing Company, Inc.