

MANUFACTURED BY:

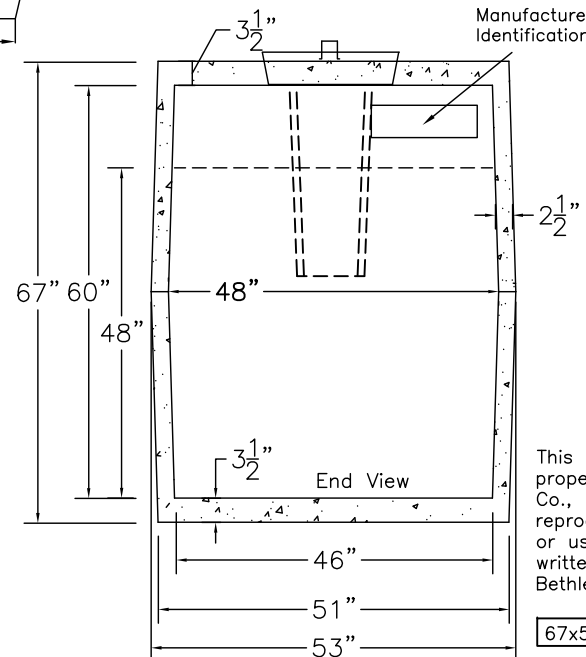
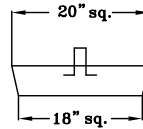
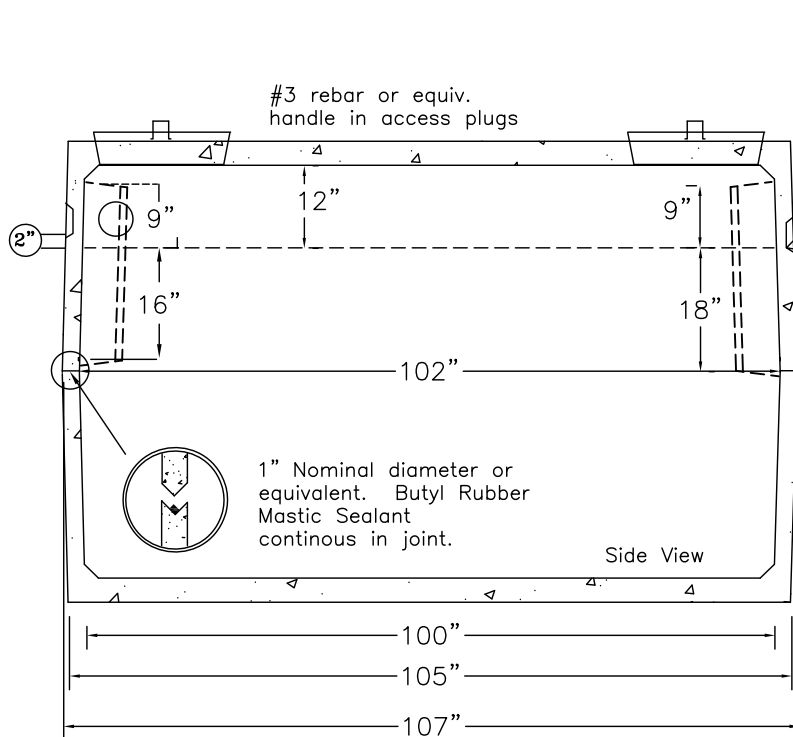
Molds of Bethlehem, Inc.

36 Bethlehem Mfg Lane

Hickory, NC 28601

LIQUID CAPACITY: 1000 Gallons
 2 yds. = 8,000 lbs.

Concrete: 3,500 PSI minimum
 Reinforcing: Tank walls and bottom - 6x6, 10 gauge wire mesh. Tank lids (tops) - Number 3 rods, 6 inches on centers each way; or 6 x 6, 10-gauge wire mesh plus one Number 3 rod per linear foot of tank top. All reinforcing wire and rods must be covered by at least 1/2 inch of concrete.



This drawing is the property of Bethlehem Mfg. Co., Inc. and may not be reproduced, published, or used in any way without written permission of Bethlehem Mfg. Co., Inc.

67x53x107STConTee1000SQG1T-SC

Scale: 1" = 28"