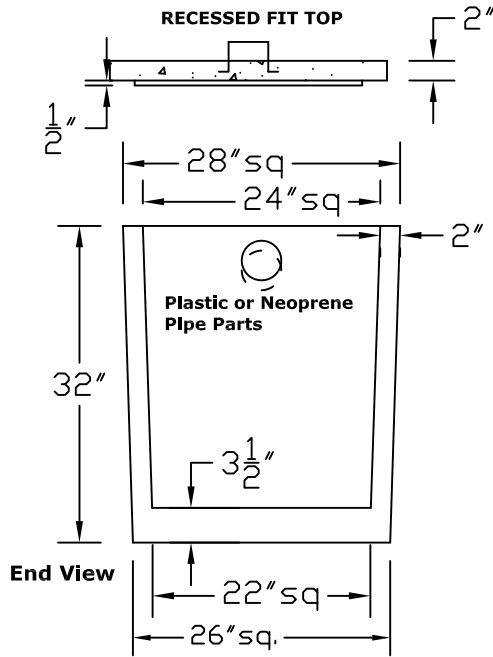


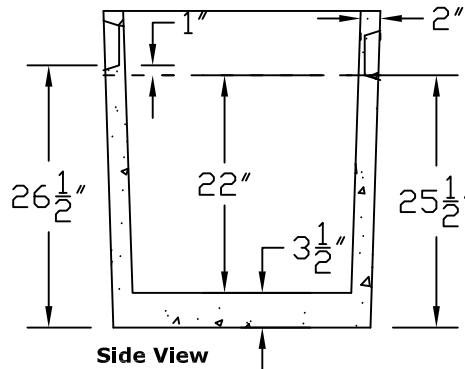
# Distribution Box/Riser

## 50 / 30 Gallon

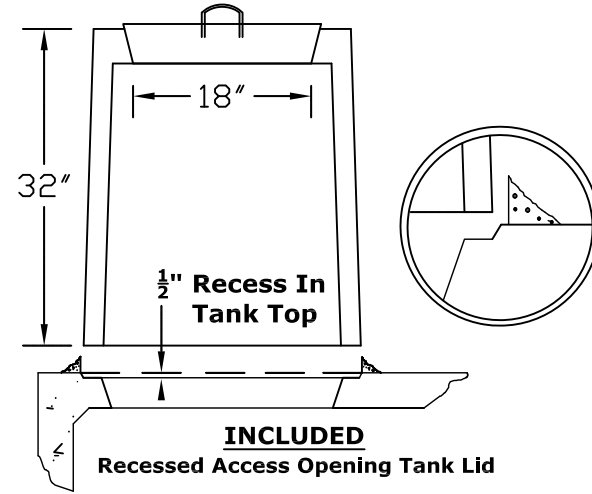
**Manufactured By:**  
**MOLDS OF BETHLEHEM, INC.**  
 36 Bethlehem Mfg. Lane  
 Hickory, NC 28601  
 800-659-7815



**Liquid Capacity: 50 Gallons**  
 0.27 yds. = 1,065 Lbs.  
 Concrete: 4,000 PSI Minimum

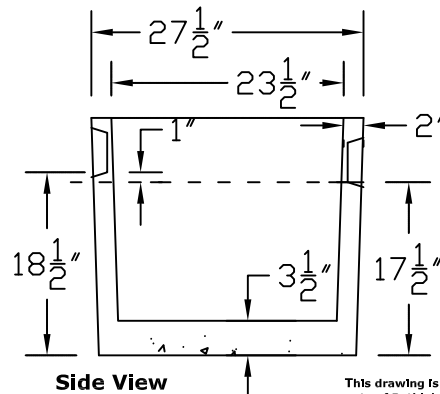
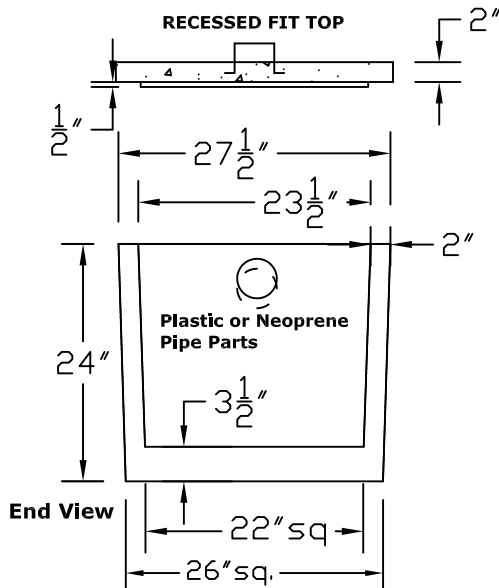


### AS A RISER

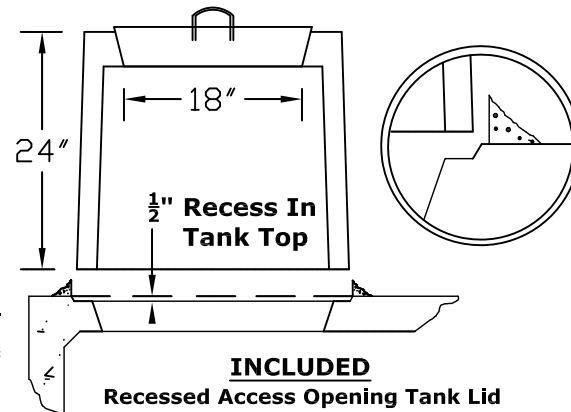


### Liquid Capacity: 30 Gallons

0.17 yds. = 680 Lbs.  
 Concrete: 4,000 PSI Minimum



### AS A RISER



Scale 1" = 14"

32x28x28WasherBox-Riser.dwg

This drawing is the property of Bethlehem Mfg. Co., Inc. and may not be reproduced, published, or used in any way without written permission of Bethlehem Mfg. Co., Inc.