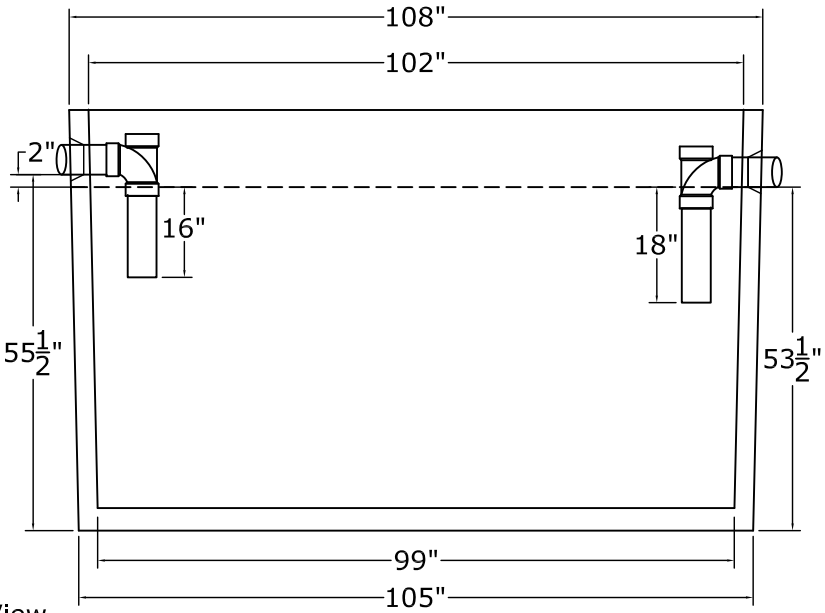
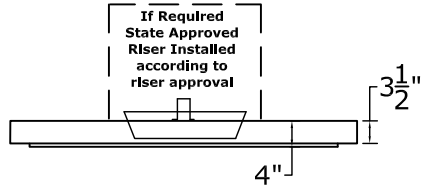
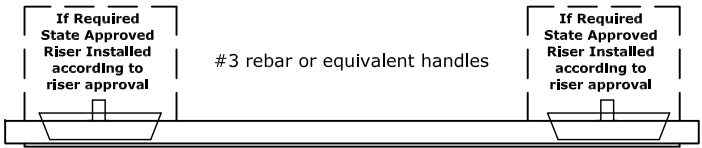
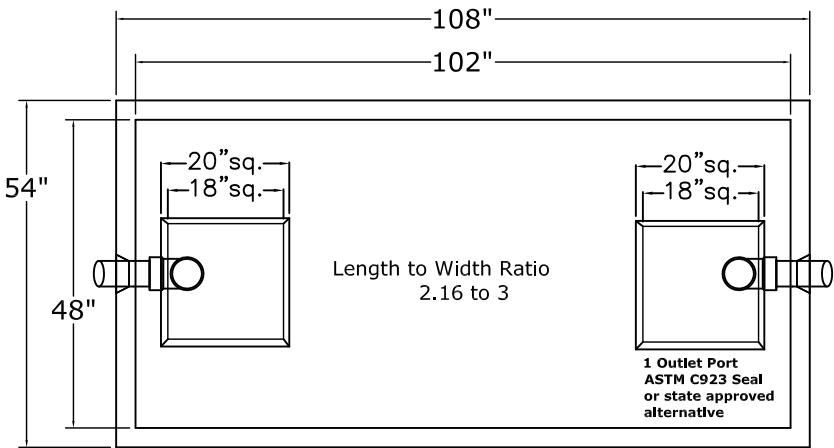
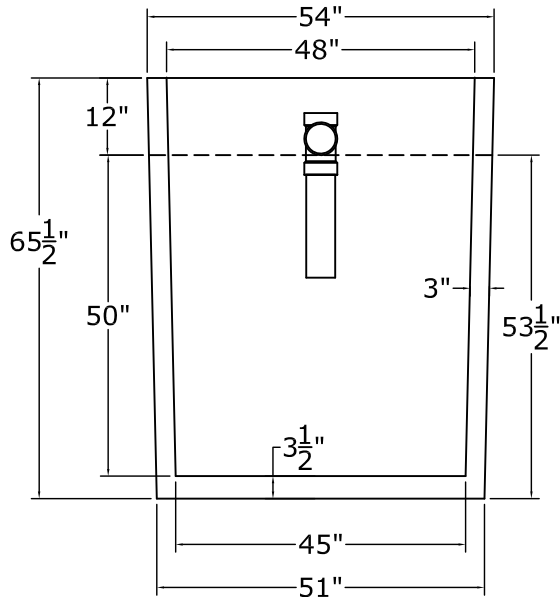


1,000 Gallon Tank



Side View



End View

| | | | | | | |
|--|--|---------------------|---|----------------|---------------------------|---------------------|
| Manufactured by: Knight Septic Tank 843-871-4900 Fax 843-729-8995 | Specifications: Liquid Capacity: 1,002 Gallons Gallons Per Inch: 20.97 Avg. Concrete: 4,000 PSI 2.125 yds. = 8,500 lbs. | Reinforcing: | Tank Type: Septic Tank 1,007 Gallons | | | |
| | | | Tank Size: 65.5 Tall x 54" Wide x 108" Long | | | |
| | | | One-Piece | | | |
| | | | Date: 7-17-18 | Approx. Weight | Scale: 1" = 30" | State: SC |
| | | | Name: 65.5x54x108\65.5x56x109STop1007SQ-Knights-SC | | | |
| This drawing is the property of Bethlehem Manufacturing Company, Inc. and may not be reproduced, published, or used in any way without written permission from Bethlehem Manufacturing Company, Inc. | | | | | | |