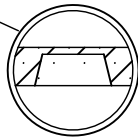
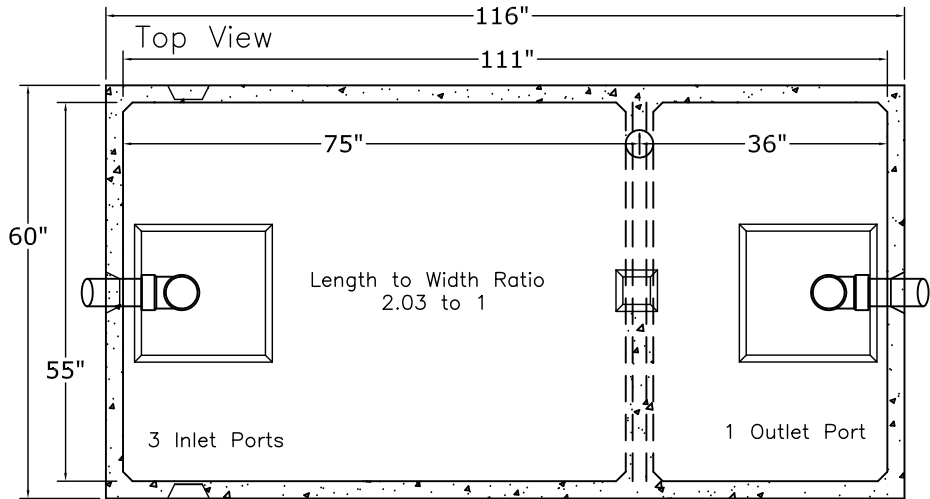


Manufactured by:

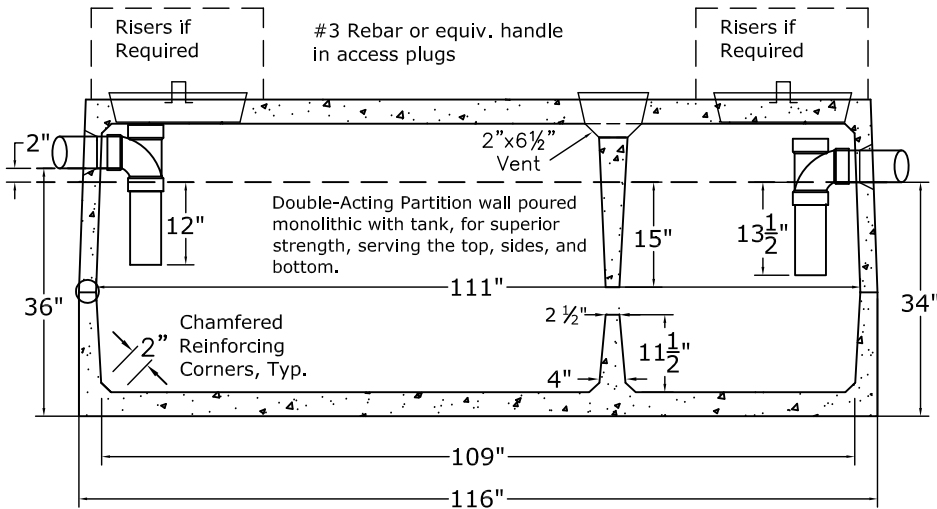
Specifications:
Capacity: **915 Gallons w/9 1/2" Air Space**
Full Capacity: 1,153 Gallons
Gallons Per Inch: **25.06 Avg.**
Concrete: **4,000 PSI Min.**
2.03 yds. = 8,100 lbs.

Reinforcing: 6"x6"x10-gauge welded wire in top, bottom, partition wall, sides, end walls.
Equivalent substitutes allowed for all devices, practices, and reinforcing approved under the laws, rules, and regulations for tanks.

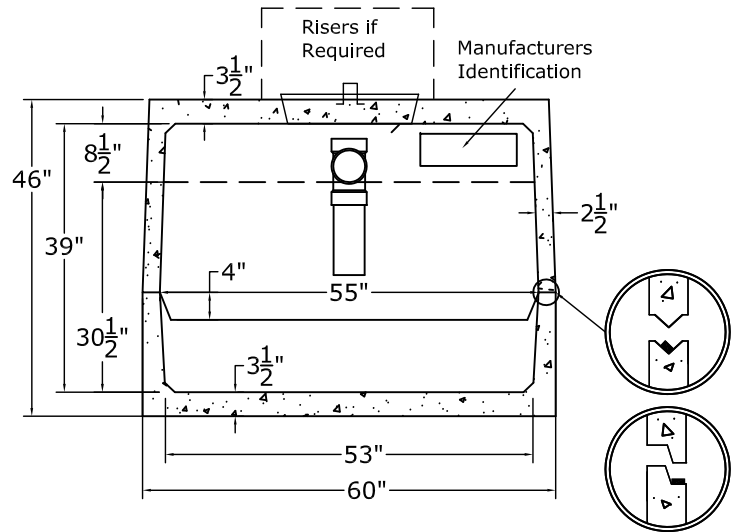
Tank Type: Septic Tank 765 Gallons			
Tank Size: 46" Tall x 60" Wide x 116" Long			
Two Piece	8 1/2" Air Space	With Baffle	Code 012
Date: 9-11-17	Approx. Weight	Scale:	State:
	8,100 lbs.	1" = 28"	TN
Name: 53x60x116STB915SQG1T-TNCode015			
<small>This drawing is the property of Bethlehem Manufacturing Company, Inc. and may not be reproduced, published, or used in any way without written permission from Bethlehem Manufacturing Company, Inc.</small>			



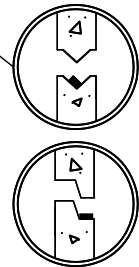
1" Min. in Unused Knockouts. All Blockouts 4" Min. to 6" Max. Pipe



Side View



End View



1" nominal diameter or equivalent Butyl Rubber Mastic Sealant continuous in joint

Manufactured by:

Specifications:

Capacity: **765 Gallons w/8 1/2" Air Space**
 Full Capacity:
 Gallons Per Inch: **25.08 Avg.**
 Concrete: **3,500 PSI Min.**
1.95 yds. = 7,800 lbs.

Reinforcing: 6"x6"x10-gauge welded wire in top, bottom, partition wall, sides, end walls.

Equivalent substitutes allowed for all devices, practices, and reinforcing approved under the laws, rules, and regulations for tanks.

Tank Type: Septic Tank 765 Gallons			
Tank Size: 46" Tall x 60" Wide x 116" Long			
Two Piece	8 1/2" Air Space	With Baffle	Code 012
Date:	Approx. Weight	Scale:	State:
	7,800 lbs.	1" = 28"	TN
Name: 46x60x116STB765SQG1T-TNCode012			
<small>This drawing is the property of Bethlehem Manufacturing Company, Inc. and may not be reproduced, published, or used in any way without written permission from Bethlehem Manufacturing Company, Inc.</small>			