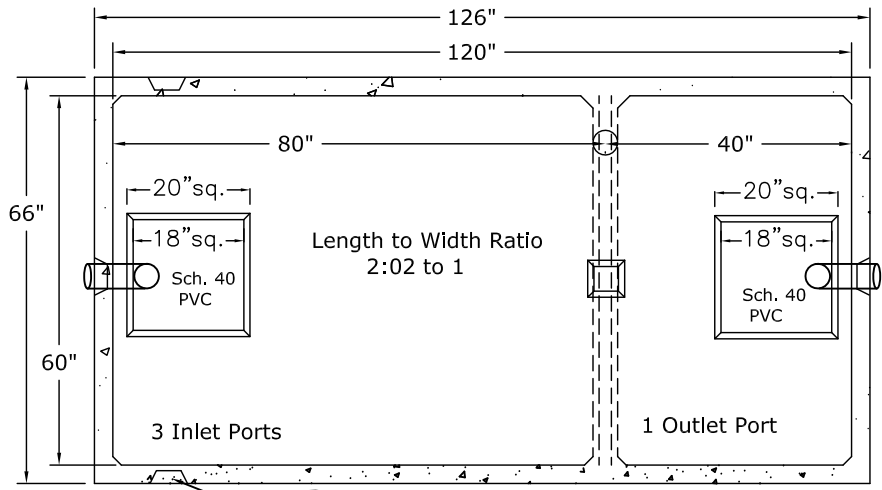
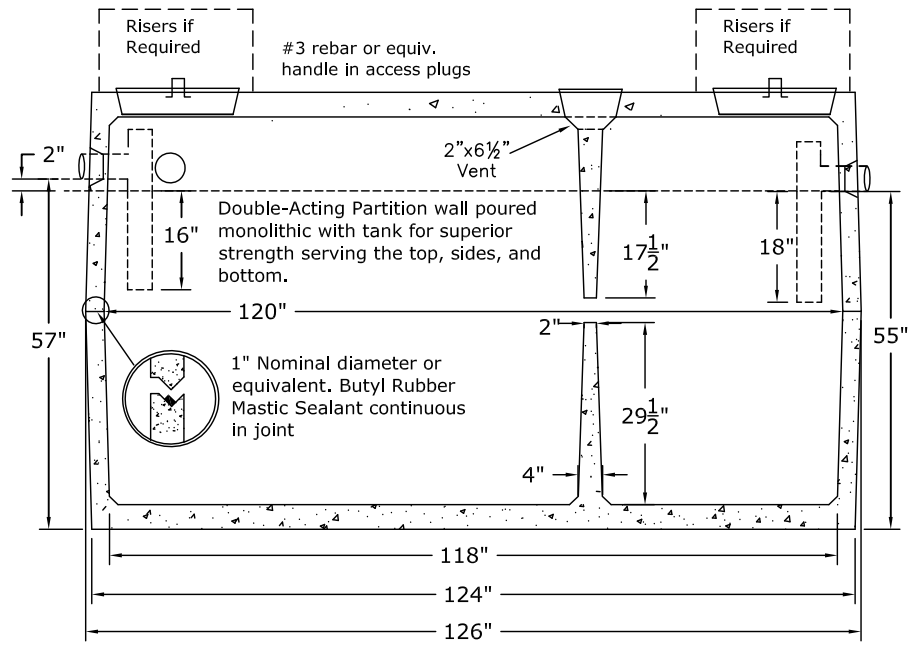


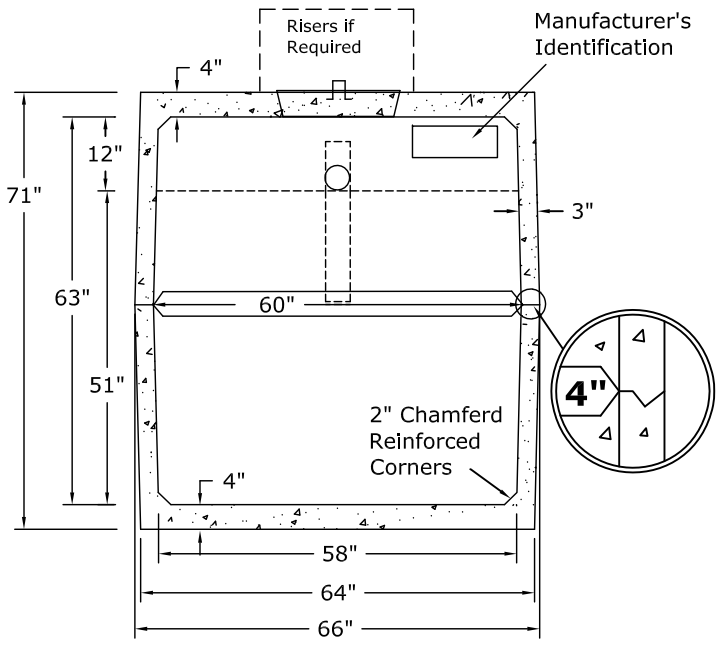
Septic Tank 1,511 Gallons



Top View
 1" Min. in Unused Knockouts All Blockouts
 4" To 6" Max. Pipe



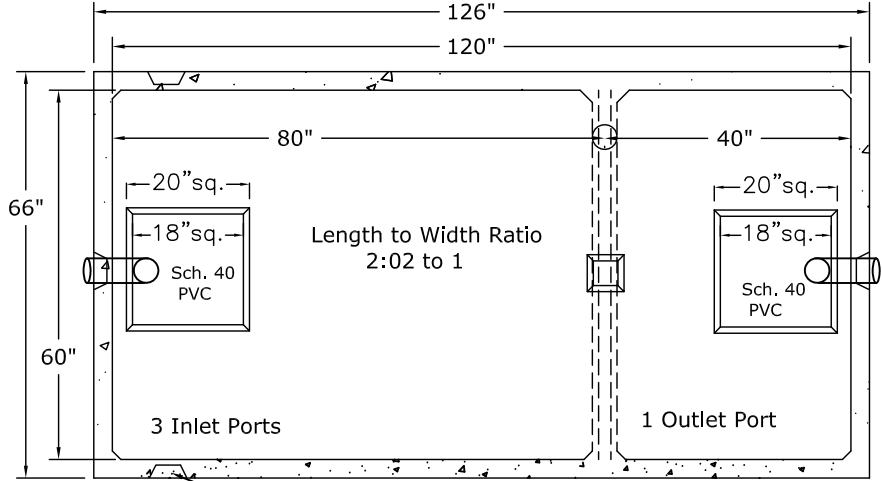
Side View



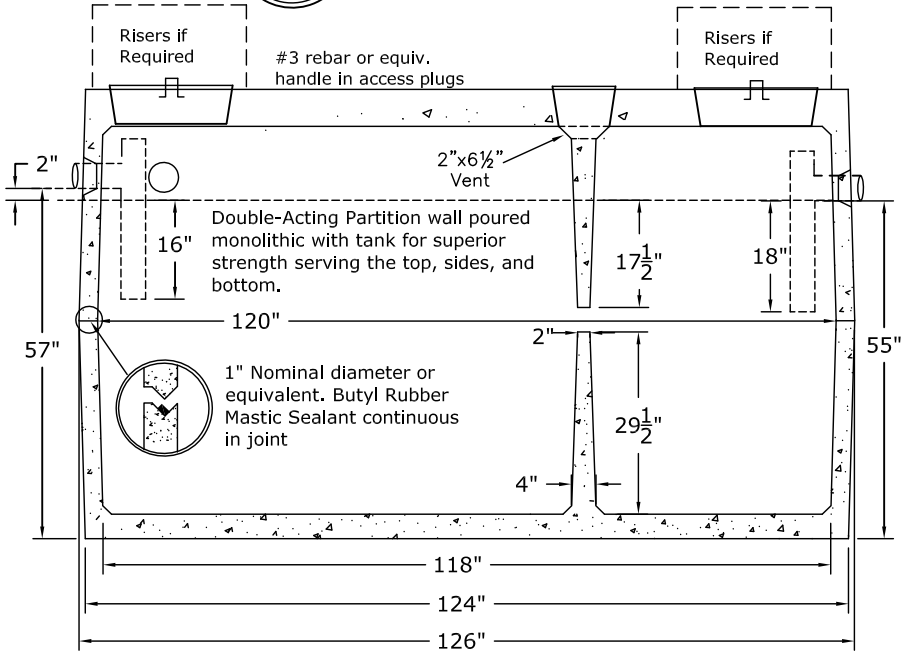
End View

Manufactured by:	Specifications:	Reinforcing: Tank walls & bottom 6"x6"x10-gauge welded wire. Tank lids (tops) #3 rebar, 12" on center each way: All reinforcing wire and rebar must be covered by concrete.			Tank Type: Septic Tank 1,511 Gallons			
	Liquid Capacity: 1,514 Gallons w/12" Air Space	Equivalent substitutes allowed for all devices, practices, and reinforcing approved under the laws, rules, and regulations for tanks.			Tank Size: 71" Tall x 66" Wide x 126" Long			
	Full Capacity: 1,870 Gallons				Two Piece	12" Air Space	With Baffle	
	Gallons Per Inch: 29.68 Avg.				Date: Revised	Approx. Weight	Scale:	State:
	Concrete: 4,000 PSI Min.				12-15-2004	12,400 lbs.	1" = 32"	SC
3.10 yds. = 12,400 lbs.				Name: 71-73x66x126STB1511PvcTeeSQG5T-SC-Knights				
<small>This drawing is the property of Bethlehem Manufacturing Company, Inc. and may not be reproduced, published, or used in any way without written permission from Bethlehem Manufacturing Company, Inc.</small>								

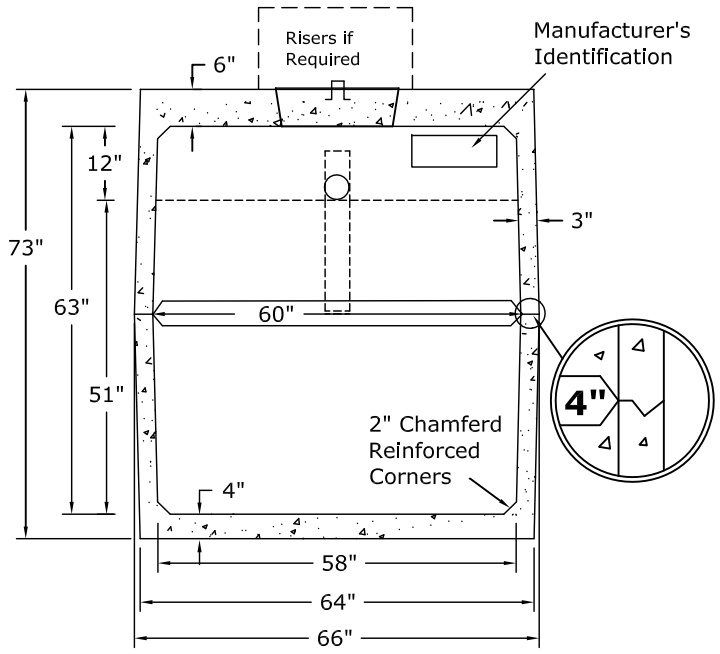
Septic Tank 1,511 Gallons



Top View
 1" Min. in Unused Knockouts All Blockouts
 4" To 6" Max. Pipe



Side View



End View

Manufactured by:

Specifications:

Liquid Capacity: **1,514 Gallons w/12" Air Space**
 Full Capacity: **1,870 Gallons**
 Gallons Per Inch: **29.68 Avg.**
 Concrete: **4,000 PSI Min.**
3.45 yds. = 13,800 lbs.

Reinforcing:

Tank walls & bottom 6"x6"x10-gauge welded wire. Tank lids (tops) #3 rebar, 12" on center each way. All reinforcing wire and rebar must be covered by concrete.

 Equivalent substitutes allowed for all devices, practices, and reinforcing approved under the laws, rules, and regulations for tanks.

Tank Type: Septic Tank 1,511 Gallons			
Tank Size: 71" Tall x 66" Wide x 126" Long			
Two Piece	12" Air Space	With Baffle	
Date: Revised 12-15-2004	Approx. Weight 12,400 lbs.	Scale: 1" = 32" SC	State:
Name: 71-73x66x126STB1511PvcTeeSQG5T-SC-Knights			
This drawing is the property of Bethlehem Manufacturing Company, Inc. and may not be reproduced, published, or used in any way without written permission from Bethlehem Manufacturing Company, Inc.			