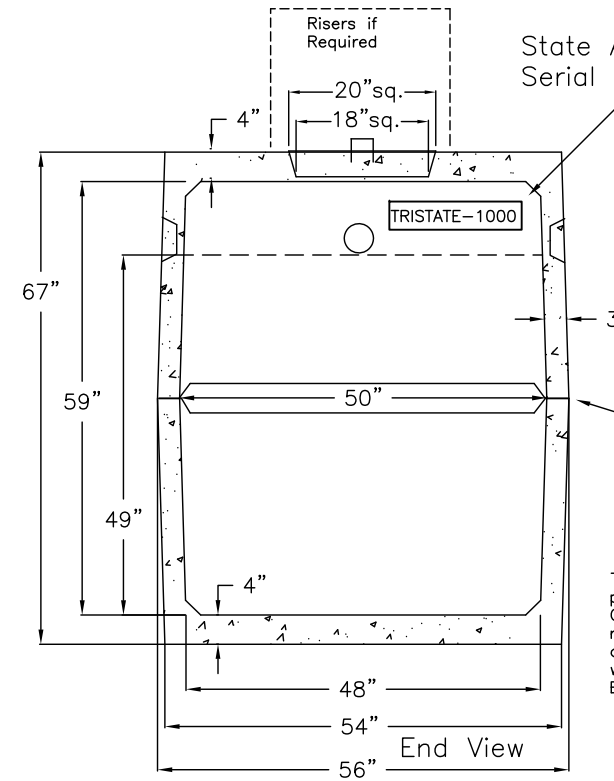
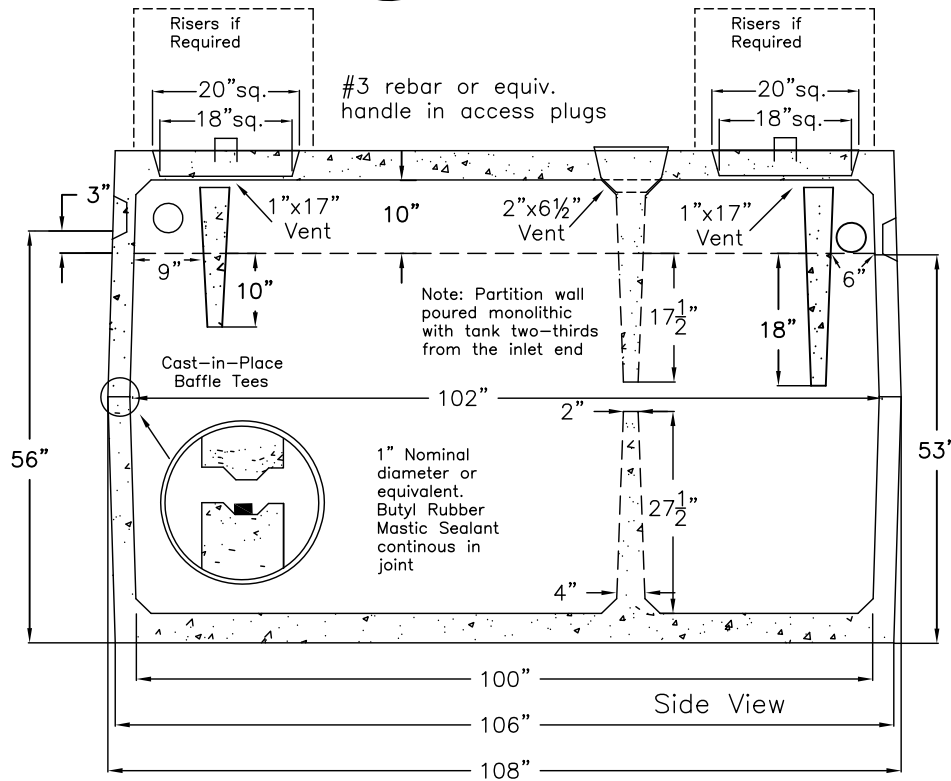
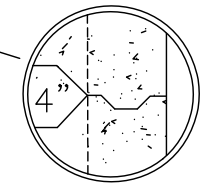


1" Min. in Unused Knockouts. All Blockouts to 6" Max. Pipe



State Assigned Serial Numbers



This drawing is the property of Bethlehem Mfg. Co., Inc. and may not be reproduced, published, or used in any way without written permission of Bethlehem Mfg. Co., Inc.

Scale: 1" = 30"

SEPTIC TANK KY

MANUFACTURED BY:

Tri-State Septic Tanks

584 Waverly Hitesville Road

Waverly, KY 42462

Bob Eckels 270-389-3791

LIQUID CAPACITY: 1,018 Gallons

2.6 yds. = 10,400 lbs.

Concrete: 4,000 PSI Minimum

Reinforcing: 6"x6"x10-gauge welded wire top, bottom, partition wall, sides and end walls.

67x56x108STB1018SQG2T-KYTriState